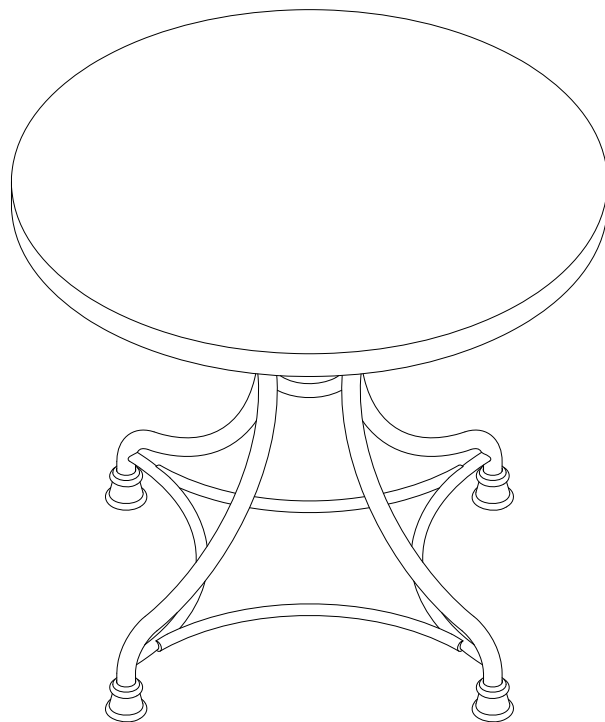
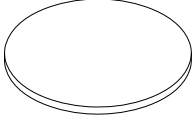

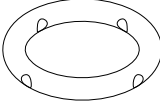
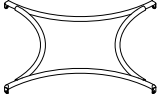




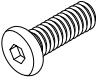
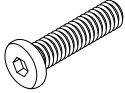

Round Table  
CF2007/CF2008



# PART LIST

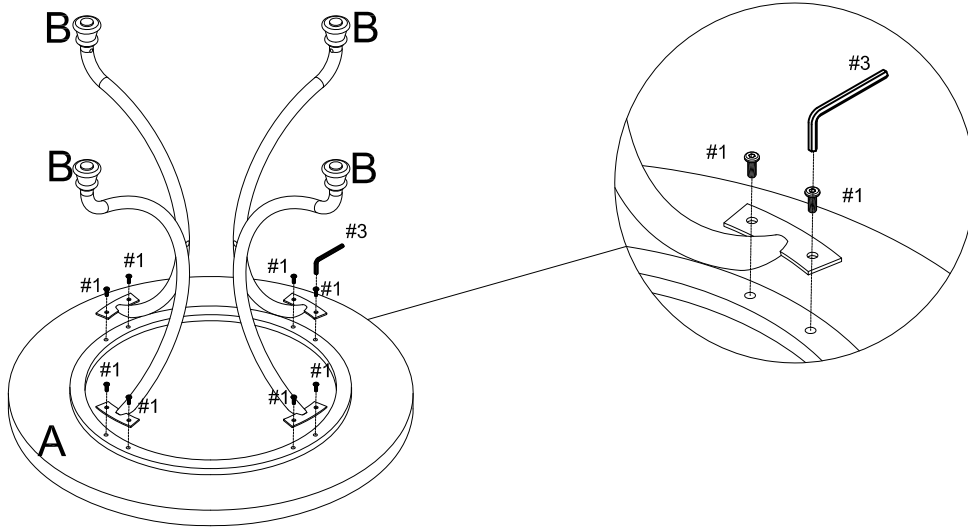
<div data-bbox="76 185 124 230" style="border: 1px solid black; padding: 2px; text-align: center;">A</div> 	<div data-bbox="363 185 411 230" style="border: 1px solid black; padding: 2px; text-align: center;">B</div> 	<div data-bbox="651 185 699 230" style="border: 1px solid black; padding: 2px; text-align: center;">C</div> 	<div data-bbox="938 185 986 230" style="border: 1px solid black; padding: 2px; text-align: center;">D</div> 
<p style="text-align: center;">Marble Top 1 PC</p>	<p style="text-align: center;">Leg 4 PCS</p>	<p style="text-align: center;">Circle Frame 1 PC</p>	<p style="text-align: center;">Bottom Frame 1 PC</p>

# HARDWARE LIST

<div data-bbox="76 797 124 842" style="border: 1px solid black; padding: 2px; text-align: center;">#1</div>  <p style="text-align: center;">1/4' x 5/8"L</p>	<div data-bbox="363 797 411 842" style="border: 1px solid black; padding: 2px; text-align: center;">#2</div>  <p style="text-align: center;">1/4' x 1"L</p>	<div data-bbox="651 797 699 842" style="border: 1px solid black; padding: 2px; text-align: center;">#3</div> 
<p style="text-align: center;">Bolt 12 PCS (Extra 1)</p>	<p style="text-align: center;">Long Bolt 4 PCS (Extra 1)</p>	<p style="text-align: center;">Allen Wrench 1 PC</p>

Step 1. Carefully lay marble top (part A) upside down on a flat, soft surface, such as carpet. Attach legs (part B) to marble top (part A) using bolts (part #1) and allen wrench (part #3).

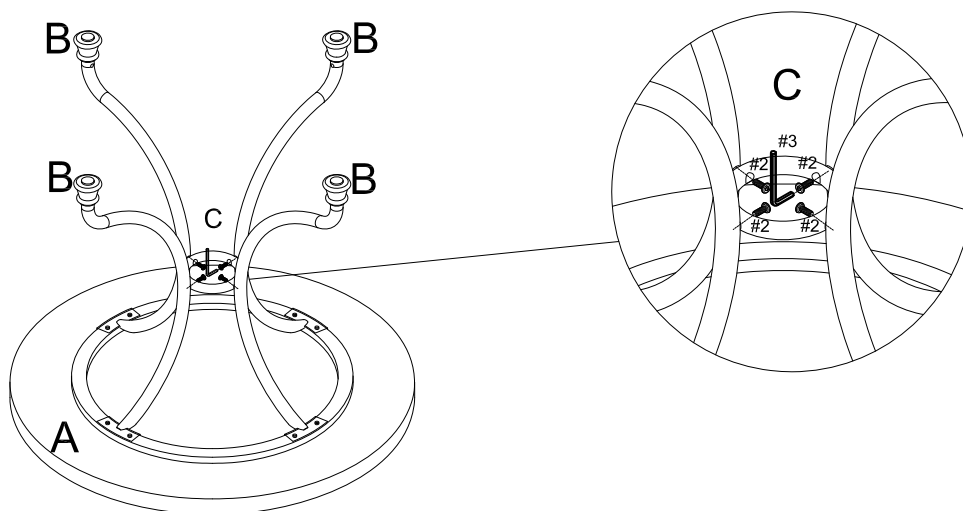
Note: Please do not fully tighten bolts at this time.



- #1  x 8
- #3  x 1

Step 2. Attach circle frame (part C) to legs (part B) using long bolts (part #2) and allen wrench (part #3).

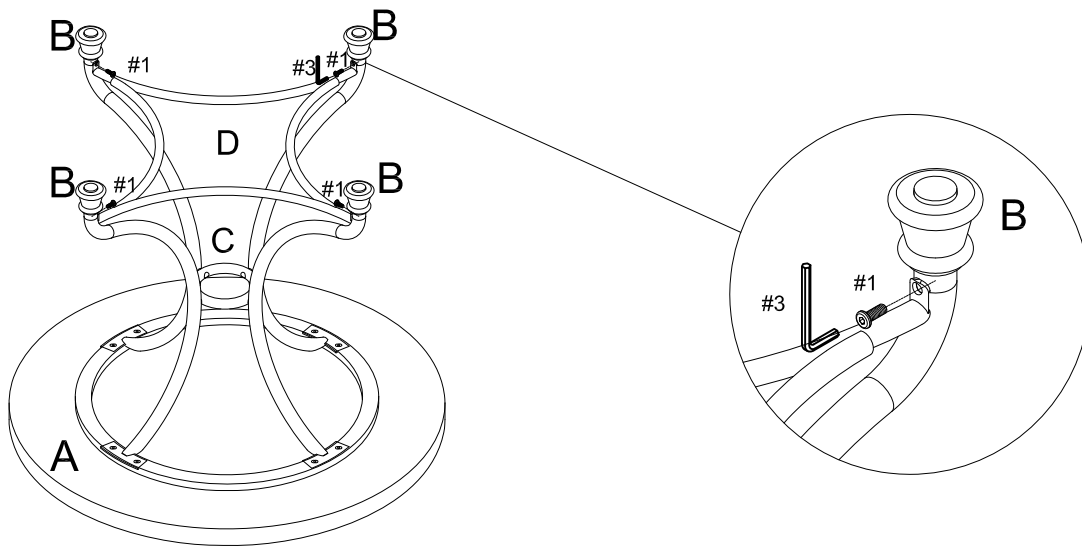
Note: Please do not fully tighten bolts at this time.



- #2  x 4
- #3  x 1

Step 3. Attach bottom frame (part D) to legs (part B) using bolts (part #1) and allen wrench (part #3).

Note: Please fully tighten all bolts at this time.



- #1  x 4
- #3  x 1

Step 4. Carefully turn unit upright.

